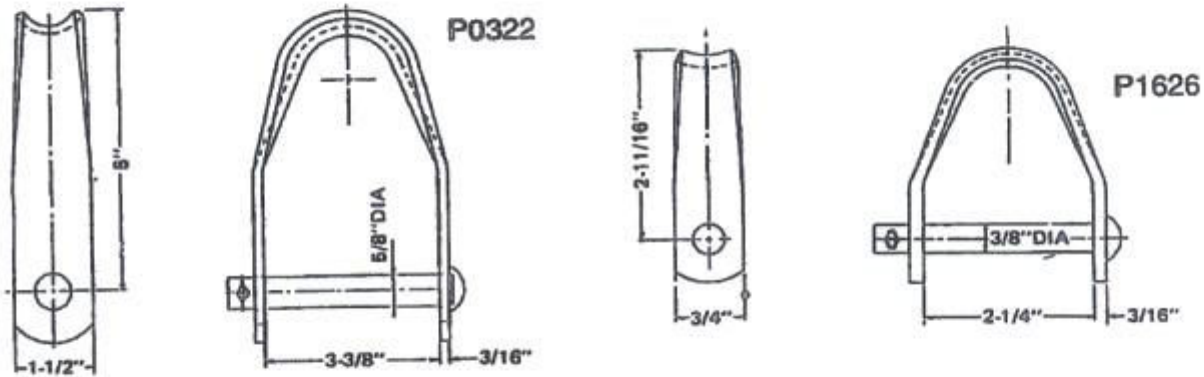


Insulated Swinging Clevises

Hot Dip Galvanized



Catalog #	Approx. Ship Wt. (per 100 pcs.)	Std. Pkg. Qty.
P0322	160	25

For use with insulators: No. P534, P533, P532

Catalog #	Approx. Ship Wt. (per 100 pcs)	Std. Pkg. Qty.
P1626	95	50

For use with insulator No. P531

Catalog numbers do not include insulators.



POWERLINE HARDWARE

245 North Lane Avenue
Jacksonville, Florida 32254

Phone: 904-695-9880

Fax: 904-695-9717

Website: www.powerlinehardware.com